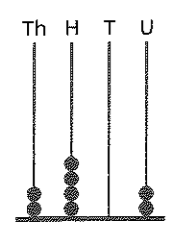


SECTION 2 | Test 7

Schofield & Sims

A Answer

1  Write in words the number shown on the abacus.
two thousand four hundred and two

2 390mm = cm 39cm

3 25 + 78 = 103

4 2010 - 20 = 1990

5 £1.25 + £2.80 = £4.05

6 (7 × 8) + 6 = 62

7 60 ÷ 12 = 5

8 \$0.12 × 9 = \$1.08

9 35 + 29 = 8 × 8

10 1kg costs 45p. 200g cost p. 9p

B Answer

1 Write ten minutes to nine in the morning in digits. Use a.m. or p.m. 8.50 a.m.

2 From (8 + 0) take (8 × 0). 8

3 Write 204 to the nearest 10. 200

4 Write in digits one and three-quarters. 1 ³/₄

5 £5 equals how many 20p coins? 25 20ps

6 What is the sum of 39, 11 and 15? 65

7 What fraction of 25 is 5? 1/5

8 24 plus 14, minus 8 equals 30

9 Write 19 in Roman numerals. XIX

10 Find
a ¹/₃ of 18p and a 6p
b ²/₃ of 18p. b 12p

C Answer

1 One side of a street is numbered in even numbers: 2, 4, 6, 8... What number is the ninth house? 18

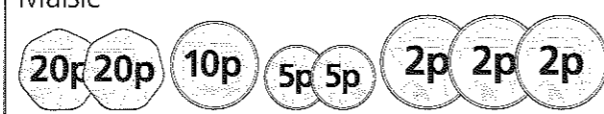
2 Find the difference between 3 × 10 and 3 × 100. 270

3 What number, other than 1, divides exactly into both 14 and 35? 7

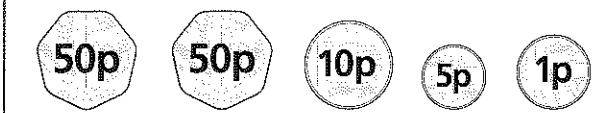
4 How many metres less than half a kilometre is 150m × 3? 50m

5 How much less has Maisie than Nur?

Maisie



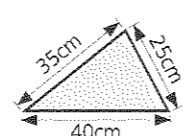
Nur



50p

6 Three numbers total 84. One number is 28 and another 12. What is the third number? 44

7 How many hairclips each costing 25p can be bought for £2.50? 10

8  What is the total length of the sides of the triangle in millimetres? 1000mm

9 How much change from £1 after buying eight waffles costing 9p each? 28p

10 Write the missing signs +, -, × or ÷ in place of ● and ▲.
4 ● 4 = 9 ▲ 7 4 ● × ▲ +

Mental Arithmetic 2 Answers

A Answer

1 Write in digits one thousand and thirty. 1030

2 (0 × 7) + (7 + 0) = 7

3 From noon to 12.45 p.m. = min 45min

4 £1.00 - £0.35 = £0.65

5 Write the missing numbers in this sequence.
925, 950, 975, , 1000 1025

6 (4 × 9) + 7 = 43

7 88 ÷ 11 = 8

8 Round 385 to the nearest 10. 390

9 ¹/₁₀ of ¹/₂m = cm 5cm

10 1l costs 60p. ¹/₄l costs p. 15p

B Answer

1 Find the product of 9 and 7. 63

2 Write in millimetres the sum of 70cm and 50cm. 1200mm

3 How much is one share if £4.20 is divided into seven equal shares? 60p

4 How many times smaller is 340 than 3400? 10

5 24p + 30p + 63p = £ £1.17

6 How many hours from 9 a.m. to 9 p.m.? 12h

7 Take 600ml from 1 ¹/₂l. 900ml

8 What number when multiplied by itself becomes 81? 9

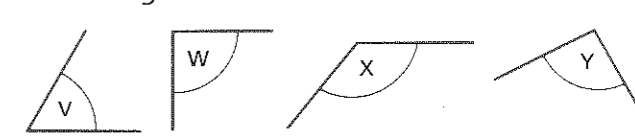
9 Subtract 6 times 7 from 50. 8

10 Increase £2.50 by ¹/₆ of £3.00. £3.00

SECTION 2 | Test 8

C Answer

1 Which of these angles is an acute angle? V




2 Write these fractions in order, from smallest to largest.

⁷ / ₉	⁵ / ₉	¹ / ₉	² / ₉
-----------------------------	-----------------------------	-----------------------------	-----------------------------

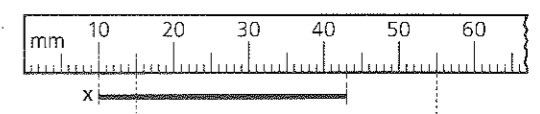
 1/9 2/9 5/9 7/9

3 Rachel was born in 1990. How old will she be in the year 2030? 40

4  How many grams more than 1kg is the mass of the contents of four of these tins? 200g

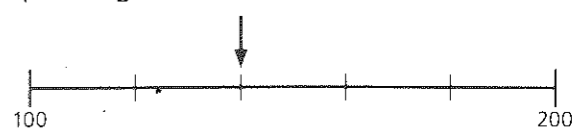
5 A ribbon 4m 80cm long is cut into eight equal pieces. What is the length of one piece? 60cm

6 How much shorter is line x than line y?

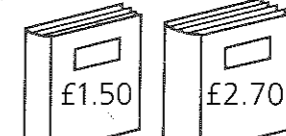


7mm

7 What number is the arrow pointing to?



140

8  Lucy bought these books. How much change was there from £5? 80p

9 By how many is ³/₈ of 8 greater than ¹/₈ of 48? 12

10 Three stickers cost 4p. How many stickers can be bought with 20p? 15